

SWAGTRON®

USER MANUAL

Ver. 1.0 7/11/19

In order to continue serving our customers and providing the best products, our product information including our user manuals may receive updates from time to time. Please check our website for the latest user manuals and product materials.

KR1 KICK SCOOTER



Scan here to
download the
user manual

PROTECT YOUR DOME

HELMETS SAVE LIVES

Helmets can reduce 85% of critical head injuries.

Elbow pads can reduce 82% of elbow injuries.

Knee pads can reduce 32% of knee injuries.

From <https://www.ncbi.nlm.nih.gov/pubmed/2716781>

Always wear proper protective gear when riding. This includes knee and elbow pads and an age-appropriate helmet.

- Helmets should fit comfortably and snugly, covering the forehead but not hindering your field of vision.
- The helmet should have a chin strap and buckle to keep the helmet in place.
- The helmet should be made out of a hard, protective outer shell and an impact-absorbing inner layer at least 1/2-inch thick.
- The helmet should be approved by the U.S. Consumer Product Safety Commission (CPSC), the Snell Memorial Foundation, or the American Society for Testing and Materials (ASTM).



Thank you for your purchase of the KR1 Kick Scooter.

Before operating this scooter, please read all instructions. This manual will walk you through the functions, usage, and proper care of your SWAGTRON® KR1 Dirt Kick Scooter. If you have any questions or cannot find the information you need in the manual, please contact your place of purchase or our customer service at 1-844-299-0625.

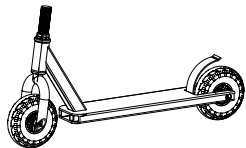
Happy Riding!

-The SWAGTRON® Team

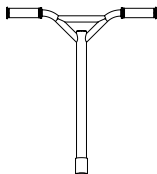
Table of Contents

Box Contents.....	6
Product Overview.....	7
Assembling the Scooter.....	8
Adjusting the Stem.....	9
Using the Scooter.....	10
Practicing Guidelines.....	11
Safety Information.....	12
Warnings.....	13
Specifications.....	17

Box Contents



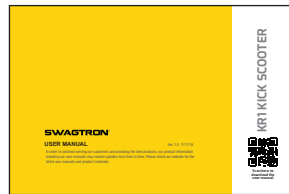
Body x 1



Stem x 1

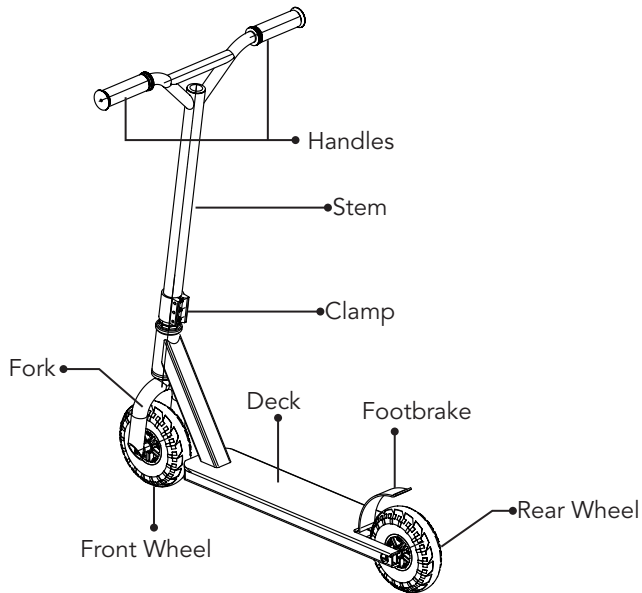


Allen Key x 1



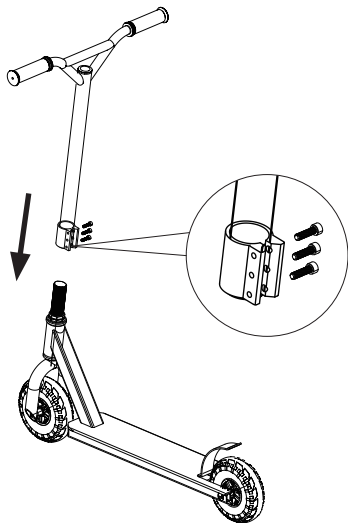
User Manual x 1

Product Overview



Assembling the Scooter

- Step 1:** Place the stem over the fork and push it down until it connects with the rest of scooter. Release the three screws on the clamp if necessary.
- Step 2:** Adjust the front wheel and the clamp so that the front wheel is perpendicular to the stem.
- Step 3:** Use the included allen key to tighten the clamp's screws. Make sure the stem is securely attached to the fork before riding.



Using the Scooter

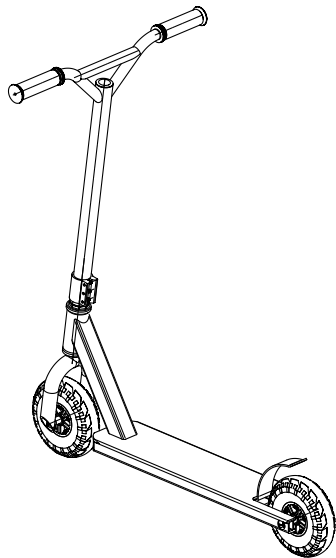


- An ASTM F1492 approved helmet and protective gear must be worn by ALL riders at ALL times regardless of age.
- Do not allow user over 230 lb. (104.3 kg) to ride the scooter.
- Supervise children while the scooter is being used.
- Inform your child of instructions and safety guidelines before allowing them to ride.

1. Hold both handles.
2. Put one foot on the deck towards the front.
3. Use your other foot to push off the ground and move the scooter forward.
4. Put both feet on the scooter as desired.
5. To stop, step on the footbrake with the nearest foot.

Practicing Guidelines

- Wear casual clothing and flat shoes to maintain your flexibility and stability.
- Practice until you can easily get on, move forward, turn, stop, and dismount with ease.
- Do not ride on slopes or inclines until you are experienced.
- Avoid riding in places with pedestrians or obstacles until you are experienced riding.



Safety Information

The SWAGTRON® KR1 Kick Scooter is a personal scooter designed for people ages 10 and up. By operating the scooter, the user acknowledges and accepts responsibility of all risks associated with the use of the SWAGTRON® KR1 Dirt Kick Scooter which may include, but are not limited to, muscle injuries, broken bones, lacerations, serious injury, and possible death. To better ensure safe riding, always use appropriate protective gear and follow all instructions in this manual.


- The KR1 is a self-propelled scooter designed for a single rider only. It is built for road, off-road and dirt trail use. Ride with care and caution.
- Safety gear should be worn at all times. Appropriate gear should include an age-appropriate ASTM F1492 approved helmet and other gear such as knee and elbow pads.
- Check all screws and fittings are secure before giving the scooter to a child.
- Add oil for lubrication periodically and replace bearings when worn. Regular maintenance enhances the product safety.
- Use the scooter with caution as riding requires skill and practice so as to avoid falls or collisions.
- Use the scooter at your own risk. SWAGTRON® shall not be held responsible for misuse.

Warnings



- Use with adult supervision.
- The braking mechanism may get hot from continuous use. Do not touch the brake after it has been used.
- Keep fingers away from moving parts to avoid pinching and entrapment.
- Never allow more than one person at a time on the scooter.
- Never ride at night, always obey all outdoor regulations, and give right of way to pedestrians.
- Be careful when riding on wet pavement as braking and wheel traction may be reduced.
- Do not modify the scooter or change the scooter in any way not outlined in these instructions.
- Screws and fixtures may loosen over time. Check and tighten periodically.
- Replace damaged parts immediately. Contact customer service for assistance and do not let children ride the KR1 until repaired.
- Avoid sudden impacts.
- Avoid riding on busy streets and roads with water, garbage, leaves or other loose debris.
- Avoid high speed when going downhill.

Tire Inflation

 You will need a pressure gauge, a standard bicycle pump to inflate the KR1 scooter's tires.

Step 1. Ensure the scooter is powered off and stable.

Step 2. Visually inspect the tires for damage, or puncture marks. If the tire is damaged, DO NOT INFLATE IT. Contact customer service immediately.


Step 3. Find the valve located on the inside of the wheel and remove the cap.

Step 4. Use a standard scooter pump to pump air to the tires slowly.

Step 5. Use the pressure gauge periodically to check PSI.

Step 6. When the tire reaches 550 Kpa, stop inflating and replace the valve cap.

Step 7. Repeat with other tire.

-  • Any PSI markings on the tires indicates a maximum. DO NOT inflate the front tire to this value. Only inflate to a maximum of 550 Kpa as directed above.
- Underinflation is strongly recommended if you intend to ride outdoors in temperatures above 90°F degrees. Bring the scooter indoors and reduce the tire pressure by 3-4 PSI. If the PSI is too high and the tire are exposed to excessively high temperatures, riding outdoors may cause serious damage to the tire including but not limited to stretching and/or rupturing.

90-Day Limited Hardware Warranty

Your SWAGTRON® KR1 Dirt Kick Scooter ("Product") includes a 90-Day Limited Hardware Warranty ("Warranty"). The Warranty covers product defects in materials and workmanship under normal use. This Warranty is limited to residents of the United States (excluding Hawaii, Alaska and U.S. Territories) and Canada only and is available only to original purchasers. This Warranty gives you specific legal rights and you may also have other rights which vary from state to state.

This Warranty starts on the date of your purchase and lasts for ninety (90) days ("Warranty Period"). The Warranty Period is not extended if the Product is repaired or replaced. We may change the availability of this limited warranty at our discretion, but any changes will not be retroactive.

Warranty services are provided by SWAGTRON®. If a hardware defect arises and a valid claim is received within the Warranty Period, at its option and to the extent permitted by law, SWAGTRON® will: (1) repair the hardware defect by using new or refurbished parts that are equivalent to new in performance and reliability; or (2) exchange the Product with a product that is new or refurbished which is substantially equivalent to the original product. This Warranty is for one replacement only of like-items and does not cover items out of production

if the product is no longer made or stocked. This Warranty is not assignable or transferable. The original purchaser may call SWAGTRON's toll-free number at 1-844-299-0625 for service request.

When a product or part is exchanged, any replacement item becomes your property and the replaced item becomes SWAGTRON®'s property. This warranty only covers technical hardware defectiveness during the warranty period and under normal use conditions. SWAGTRON® does not warrant uninterrupted or error-free operation of this Product.

Return shipping shall only be provided for Products dead on arrival ("DOA") within 30 days of purchase only. All other returns/repairs shall require payment of shipping cost at discounted rate to be determined as follows:

SWAGTRON® K-Line shall be Eight Dollars (\$10)**

**shipping prices are subject to change without further notice.

This Warranty does not cover any damage due to: (a) transportation; (b) storage; (c) improper use; (d) failure to follow the product instructions or to perform any preventive maintenance; (e) modifications; (f) unauthorized repair; (g) normal wear and tear(including but not limited to wearables and other consumable parts such as tires); or (h) external causes such as accidents, abuse, or other actions or events beyond our reasonable control.

Important: Do not disassemble the Product. Disassembling the Product will void this Warranty. Only SWAGTRON® or a party expressly authorized by SWAGTRON® should perform service on this Product.

DISCLAIMER OF WARRANTY: THE REMEDIES DESCRIBED ABOVE ARE YOUR SOLE AND EXCLUSIVE REMEDIES AND OUR ENTIRE LIABILITY FOR ANY BREACH OF THIS LIMITED WARRANTY. OUR LIABILITY SHALL UNDER NO CIRCUMSTANCES EXCEED THE ACTUAL AMOUNT PAID BY YOU FOR THE DEFECTIVE PRODUCT, NOR SHALL WE UNDER ANY CIRCUMSTANCES BE LIABLE FOR ANY CONSEQUENTIAL, INCIDENTAL, SPECIAL OR PUNITIVE DAMAGES OR LOSSES, WHETHER DIRECT OR INDIRECT.

SOME STATES DO NOT ALLOW THE EXCLUSION OR LIMITATION OF INCIDENTAL OR CONSEQUENTIAL DAMAGES, SO THE ABOVE LIMITATION OR EXCLUSION MAY NOT APPLY TO YOU.

THE DURATION AND REMEDIES OF ALL IMPLIED WARRANTIES, INCLUDING WITHOUT LIMITATION THE WARRANTIES OF MERCHANTABILITY AND FITNESS FOR A PARTICULAR PURPOSE ARE LIMITED TO THE DURATION OF THIS EXPRESS LIMITED WARRANTY.

Specifications

Item	Parameters
Scooter Dimensions	34.2 x 19.2 x 37.8 in. / 87 x49 x 96 cm
Scooter Weight	~13.3 lb. / 6.02 kg
Frame Material	Aluminum
Y-Bar Material	Chromoly
Handle Grip Materials	Aluminum
Tire Material	Rubber (air-filled)
Tire Inflation (Maximum PSI)	550 Kpa
Wheel Diameter	7.9 x 1.97 in. / 200 x 50 mm
Wheel Bearings	608ZZ (ABEC-9)
Maximum Load	230 lb. / 104.3 kg
Recommended Ages	10+
Certifications	ASTM 2264

SWAGTRON®

COPYRIGHT © 2019 SWAGTRON. ALL RIGHTS RESERVED.