

# SWAGTRON®

## USER MANUAL

Ver. 1.0 01/19/21

In order to continue serving our customers and providing the best products, our product information including our user manuals may receive updates from time to time. Please check our website for the latest user manuals and product materials.

**SWAGGER GLIDE**  
FOLDABLE ELECTRIC SCOOTER



Scan here to  
download the  
user manual

# PROTECT YOUR DOME

## HELMETS SAVE LIVES

Helmets can reduce 85% of critical head injuries.

Elbow pads can reduce 82% of elbow injuries.

Knee pads can reduce 32% of knee injuries.

From <https://www.ncbi.nlm.nih.gov/pubmed/2716781>

**Always wear proper protective gear when riding. This includes knee and elbow pads and an age-appropriate helmet.**

- Helmets should fit comfortably and snugly, covering the forehead but not hindering your field of vision.
- The helmet should have a chin strap and buckle to keep the helmet in place.
- The helmet should be made out of a hard, protective outer shell and an impact-absorbing inner layer at least 1/2-inch thick.
- The helmet should be approved by the U.S. Consumer Product Safety Commission (CPSC), the Snell Memorial Foundation, or the American Society for Testing and Materials (ASTM).



Thank you for your purchase of the GLIDE Foldable Electric Scooter.

Before operating this scooter, please read all instructions. This manual will walk you through the functions, usage, and proper care of your SWAGTRON® GLIDE Foldable Electric Scooter. If you have any questions or cannot find the information you need in the manual, please contact your place of purchase or our customer service at 1-844-299-0625.

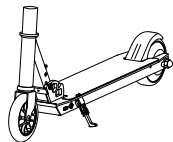
Happy Riding!

-The SWAGTRON® Team

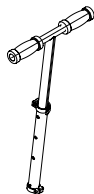
# Table of Contents

<b>Box Contents</b> .....	<b>5</b>
<b>Product Overview</b> .....	<b>6</b>
Assembling the Scooter .....	7
Adjusting the Stem .....	8
Folding/Unfolding the Scooter.....	9
Charging the Scooter .....	10
<b>Riding the Scooter</b> .....	<b>14</b>
Practicing Guidelines.....	15
<b>Safety Information</b> .....	<b>16</b>
<b>Warnings</b> .....	<b>17</b>
<b>Maintenance</b> .....	<b>18</b>
<b>Specifications</b> .....	<b>23</b>

# Box Contents



Body x 1



Stem x 1

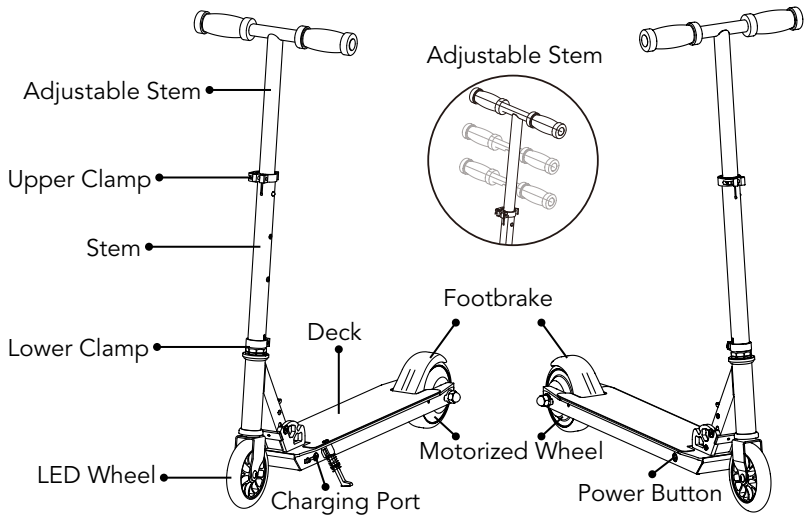


Hex Key x 1



User Manual x 1

# Product Overview



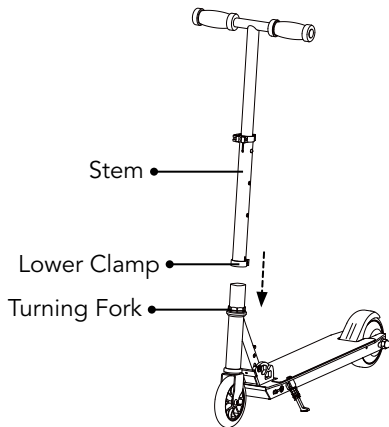
## Assembling the Scooter

**Step 1.** Slide the stem over the turning fork and push it down until it connects with the rest of the scooter.

**Step 2.** Adjust the front wheel and the lower clamp so that the front wheel is perpendicular to the stem.

**Step 3.** Use the included hex key to tighten the lower clamp's screws. Make sure the stem is securely attached to the turning fork before riding.

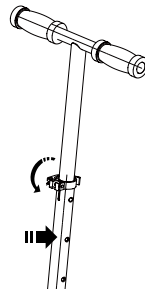
 Check alignment before inserting the stem.



## Adjusting the Stem

Open the upper clamp, press the metal safety peg in, and raise or lower the stem to one of the three height levels. The safety peg should pop into place. Close the upper clamp to secure the stem.

- ⓘ In order for the scooter to be safe to ride, the safety peg must pop into one of the designated holes and the clamp must be closed.





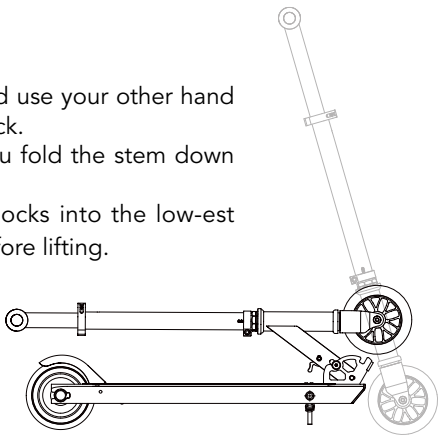
## Folding/Unfolding the Scooter

### To Fold

- Step 1.** Hold the scooter's stem with one hand and use your other hand to pull the latch lock down towards the deck.
- Step 2.** Continue to hold down the latch while you fold the stem down towards the deck.
- Step 3.** Release the latch lock and make sure it locks into the low-est notch. Check that the scooter is secure before lifting.

### To Unfold

- Step 1.** Hold the scooter's stem with one hand and use your other hand to push the latch lock down towards the stem.
- Step 2.** Continue to hold down the latch lock as you raise the stem up away from the deck.
- Step 3.** Release the latch lock and make sure it locks into the highest notch. It should click in place. Check that the scooter is secure before riding.



## Charging the Scooter

**⚠ Fully charge the scooter before riding.**

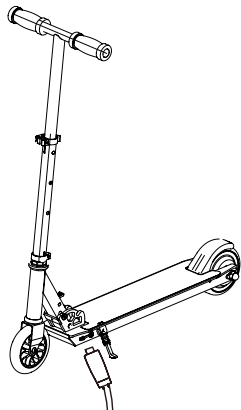
**Step 1.** Make sure the scooter is powered off and connect the charger's cables and adapter if needed.

**Step 2.** Plug the charger into a wall outlet (100V-240V; 50-60Hz) then plug the other end into the scooter.


**Step 3.** Allow 2.5 hours for charging. The battery indicator on the right side of deck may flash during charging and stop once charging is complete. Disconnect all cables once charging is finished.

**⚠ First-Time Use: Charge the scooter for at least 3 hours before using it.**

- DO NOT, under any circumstances, use the scooter while it is charging or connected to the charger.
- The charging time is approximately 2.5 hours. Charging longer than that may affect battery life and/or performance.



- **Use only the charger provided with your Swagger Glide. If you have lost or misplaced your charger, contact customer support to obtain a replacement.**
- To maximize the battery life, charge it once every other month or every couple days after riding.
- Do not continue charging the battery if it does not recharge within the specified charging time. Disconnect the scooter from the charging cable and contact customer service.
- Keep your charging environment clean and dry at all times.
- If the charging port is damp or has any liquid on it, DO NOT charge your scooter.
- Do not place the battery in fire or direct contact with heat or sunlight.
- Avoid using or storing the scooter and/or battery in extremely hot or extremely cold environments. Using or storing the battery in extreme temperatures may cause it to become hot or to break and/or reduce battery performance or life expectancy.
- Do not subject the battery to strong impact or shock.
- Risk of shock. Do not allow water and/or liquids to enter the scooter's electric parts. If cleaning is needed, dampen non-abrasive cloth with water or mild cleaner and wipe off the scooter.
- Never submerge the scooter or any of the scooter's components.
- Do not disassemble or modify the battery. Attempting to repair or modify your battery voids all warranties. Only authorized repair centers may open and service the battery.

- If the device is to be used by children, the caregiver should explain the contents of the user manual to the children. The caregiver should provide adequate supervision to ensure that the device is being used as explained in the user manual.
  - Immediately discontinue use of the battery if, while using, charging, or storing the battery, the battery emits an unusual smell, feels hot, changes color, changes shape, or appears abnormal in any other way.
  - In the event that the battery leaks and the fluid gets into one's eye, do not rub the eye. Rinse well with water and immediately seek medical care.
-  Use only the charger provided with the scooter. If you have lost or misplaced your charger, contact customer support to obtain a replacement.

### **Low-Battery Warning**

Charge the battery as soon as possible after receiving any low-battery indication. When the voltage is lower than the designed 23v, it will beep continually to indicate low battery. The GLIDE will continuously beep when the battery is low. Charge the battery as soon as possible after receiving this low-battery warning.

## Disposal at End-of-Life

This product must not be disposed of by incineration, land filling, or mixing with household trash. Improper disposal of the battery contained within this product may result in the battery heating up, rupturing, or igniting which may cause serious injury. The substances contained inside the battery present chemical risks to the environment. The recommended disposal for any GLIDE Scooter at its end-of-life is to dispose of the entire unit at or through an e-waste recycling center, program, or facility. Local regulations and laws pertaining to the recycling and disposal of lithium-ion batteries and/or products containing them will vary according to country, state, and local governments. You must check laws and regulations corresponding to where you live in order to dispose of the battery and/or unit properly. It is the user's responsibility to dispose of their waste equipment properly in accordance with local regulations and laws.

For additional information about where you should drop off your batteries and electrical or electronic waste, please contact your local or regional waste management office, your household waste disposal service, or your point-of-sale.

## Riding the Scooter

- ▲ ■ An ASTM F1492 approved helmet and protective gear must be worn by ALL riders at ALL times regardless of age.
- Do not allow user over 135 lb (61 kg) to ride the scooter.
- Supervise children while the scooter is being used.
- Inform your child of instructions and safety guidelines before allowing them to ride.

**Step 1.** Step 1. Gently kick off the ground to generate some speed by yourself.

**Step 2.** Step 2. When the scooter reaches 3mph, the rear motor will automatically engage and boost speeds up to 7.5mph.

**Step 3.** Step 3. Press down on the rear brake to slow down.



## Practicing Guidelines

- Wear casual clothing and flat shoes to maintain your flexibility and stability.
- Practice until you can easily get on, move forward, turn, stop, and dismount with ease.
- Make sure the pavement is even. Do not ride on sloped pavement or inclines until you are experienced.
- The scooter is designed for relatively smooth, flat terrain. When riding on uneven terrain, slow down.
- Avoid riding in places with pedestrians or obstacles.

## Safety Information

The SWAGTRON® GLIDE Kick-Start Electric Scooter is a personal scooter designed for children ages 7 and up. By operating the scooter, the user acknowledges and accepts responsibility of all risks associated with the use of the SWAGTRON® GLIDE Kick-Start Electric Scooter which may include, but are not limited to, muscle injuries, broken bones, lacerations, serious injury, and possible death. To better ensure safe riding, always use appropriate protective gear and follow all instructions in this manual.

- The GLIDE is a self-propelled scooter designed for a single rider only. It is not intended or equipped for road use, off-road use or use with any motorized device.
- Safety gear should be worn at all times. Appropriate gear should include an age-appropriate ASTM F1492 approved helmet and other gear such as knee and elbow pads.
- Check that all screws and fittings are secure before giving the scooter to a child.
- Add oil for lubrication periodically and replace bearings when worn. Regular maintenance enhances the product safety.
- Use on flat, clean, and dry surfaces. Avoid pedestrians and unstable surfaces.
- Use the scooter with caution as riding requires skill and practice so as to avoid falls or collisions.
- Use the scooter at your own risk. SWAGTRON® shall not be held responsible for misuse.
- Do not perform stunts or dangerous maneuvers with the scooter.



## Warnings



- Use with adult supervision.
- The braking mechanism may get hot from continuous use. Do not touch the brake after it has been used.
- Keep fingers away from moving parts to avoid pinching and entrapment.
- Never allow more than one person at a time on the scooter.
- Never ride at night, obey all outdoor regulations, and give right of way to pedestrians.
- Be careful when riding on wet pavement as braking and wheel traction may be reduced.
- Do not modify the scooter or change the scooter in any way not outlined in these instructions.
- Screws and fixtures may loosen over time. Check and tighten periodically.
- Devices are not intended for use at elevations greater than 2000 m above sea level.
- Prolonged Exposure to UV Rays, Rain and the Elements May Damage the Enclosure Materials, Store Indoors When Not in Use

**WARNING** – Risk of Fire – No User Serviceable Parts

**AVERTISSEMENT**- Risque d'incendie et de choc électrique - Aucune des pièces ne peut être réparée par l'utilisateur

## Maintenance



- Do not perform any maintenance when the power is on, or the battery is charging. Do not let water or liquids get into the scooter as this will cause permanent damage to the electronic components.
- After each ride, especially if you have traveled a long distance, inspect your scooter.
  1. Inspect the brake to make sure it works properly.
  2. Make sure all screws and bolts are taut and properly fastened to prevent injury.
  3. Charge the GLIDE completely using the included charger (see Section Charging the Scooter).



**For questions, concerns, or part replacement, please contact customer service.**

## Cleaning

Follow the tips below when cleaning your GLIDE.

- Completely power off the scooter before cleaning.
- Use dry, non-abrasive cloth to gently remove debris or dust.
- If needed, dampen cloth with water or a mild cleaner and wipe off the scooter.
- Never use alcohol or ammonia-based cleaning solutions.

- Never spray liquid directly onto any part of the scooter.
- Do not allow any type of liquid to come in contact with the scooter's electronic parts.

## **Storage**

- Before storing the scooter, fully charge it to prevent battery over-discharge due to inactivity.
- If storing the scooter for long periods, discharge and recharge the battery every three months.
- Cover the scooter to protect it from dust. Do not store in a dusty environment as, with all electronic devices, this may cause damage over time.
- DO NOT store the scooter in an unheated garage, shed, or any location with extreme temperature fluctuations. Store only in environments where temperatures will be stable and kept between -4°F to 140°F (-20°C to 60°C).

## 90-Day Limited Hardware Warranty

Your SWAGTRON® GLIDE Kick-Start Electric Scooter ("Product") includes a 90-Day Limited Hardware Warranty ("Warranty"). The Warranty covers product defects in materials and workmanship under normal use. This Warranty is limited to residents of the United States (Excluding Hawaii, Alaska and US Territories) and Canada only and is available only to original purchasers. This Warranty gives you specific legal rights and you may also have other rights which vary from state to state.

This Warranty starts on the date of your purchase and lasts for ninety (90) days ("Warranty Period"). The Warranty Period is not extended if the Product is repaired or replaced. We may change the availability of this limited warranty at our discretion, but any changes will not be retroactive.

Warranty services are provided by SWAGTRON®. If a hardware defect arises and a valid claim is received within the Warranty Period, at its option and to the extent permitted by law, SWAGTRON® will: (1) repair the hardware defect by using new or refurbished parts that are equivalent to new in performance and reliability; or (2) exchange the Product with a product that is new or refurbished which is substantially equivalent to the original product. This Warranty is for one replacement only of like-items and does not cover items out of production

if the product is no longer made or stocked. This Warranty is not assignable or transferable. The original purchaser may call SWAGTRON's toll-free number at 1-844-299-0625 for service request.

When a product or part is exchanged, any replacement item becomes your property and the replaced item becomes SWAGTRON®'s property. This warranty only covers technical hardware defectiveness during the warranty period and under normal use conditions. SWAGTRON® does not warrant uninterrupted or error-free operation of this Product.

Return shipping shall only be provided for Products dead on arrival ("DOA") within 30 days of purchase only. All other returns/repairs shall require payment of shipping cost at discounted rate to be determined as follows:

SWAGTRON® E-Scooters, and Hoverboards shall be Twenty Dollars (\$20)\*\*

SWAGTRON® K-Line shall be Eight Dollars (\$8)\*\*

\*\*shipping prices are subject to change without further notice.

This Warranty does not cover any damage due to: (a) transportation; (b) storage; (c) improper use; (d) failure to follow the product instructions or to perform any preventive maintenance; (e) modifications; (f) unauthorized repair; (g) normal wear and tear( including but not limited to wearables and other consumable parts such as tires); or (h) external causes such as accidents, abuse, or other actions or events beyond our reasonable control.

Important: Do not disassemble the Product. Disassembling the Product will void this Warranty. Only SWAGTRON® or a party expressly authorized by SWAGTRON® should perform service on this Product.

DISCLAIMER OF WARRANTY: THE REMEDIES DESCRIBED ABOVE ARE YOUR SOLE AND EXCLUSIVE REMEDIES AND OUR ENTIRE LIABILITY FOR ANY BREACH OF THIS LIMITED WARRANTY. OUR LIABILITY SHALL UNDER NO CIRCUMSTANCES EXCEED THE ACTUAL AMOUNT PAID BY YOU FOR THE DEFECTIVE PRODUCT, NOR SHALL WE UNDER ANY CIRCUMSTANCES BE LIABLE FOR ANY CONSEQUENTIAL, INCIDENTAL, SPECIAL OR PUNITIVE DAMAGES OR LOSSES, WHETHER DIRECT OR INDIRECT.

SOME STATES DO NOT ALLOW THE EXCLUSION OR LIMITATION OF INCIDENTAL OR CONSEQUENTIAL DAMAGES, SO THE ABOVE LIMITATION OR EXCLUSION MAY NOT APPLY TO YOU.

THE DURATION AND REMEDIES OF ALL IMPLIED WARRANTIES, INCLUDING WITHOUT LIMITATION THE WARRANTIES OF MERCHANTABILITY AND FITNESS FOR A PARTICULAR PURPOSE ARE LIMITED TO THE DURATION OF THIS EXPRESS LIMITED WARRANTY.

# Specifications

Item	Parameters
Net Weight	8.1 lb / 3.7 kg
Dimensions	31.1 x 11.1 x (31.9 ~ 38) in / 79 x 28.3 x (81~97)cm
Maximum Incline	≤10°
Load Limit	44 ~ 135 lb. / 20-61 kg
Maximum Throttle Speed	9.3 mph / 15 km/h (*Based on Terrain & Rider Weight)
Range Per Charge	Up to 8 mi. / 12.84 km
Working Temp.	Charging: 32°F to 104°F (0°C to 40°C) Discharging: -4°F to 122°F (-20°C to 50°C)
Storage Temp.	1 Month: -4°F to 140°F (-20°C to 60°C) 3 Months: -4°F to 113°F (-20°C to 45°C) 12 Months: -4°F to 77°F (-20°C to 25°C)
Humidity	65±20% RH
Battery	Lithium-Ion
Wheel Sizes	Front: 4.7 in (120 mm) / Rear: 5.0 in (127mm)
Charging Time	2.5 Hours
Charging Voltage	<b>Input:</b> 100-240V 50/60Hz 1.5A; <b>Output:</b> 29.4V 1.0 A

**SWAGTRON®**

COPYRIGHT © 2021 SWAGTRON. ALL RIGHTS RESERVED.