

SWAGTRON®

USER MANUAL

Ver. 2.0 3/14/23

In order to continue serving our customers and providing the best products, our product information including our user manuals may receive updates from time to time. Please check our website for the latest user manuals and product materials.



EBS PRO PLUS
FOLDING ELECTRIC BIKE

PROTECT YOUR DOME

HELMETS SAVE LIVES

Helmets can reduce 85% of critical head injuries.

Elbow pads can reduce 82% of elbow injuries.

Knee pads can reduce 32% of knee injuries.

From <https://www.ncbi.nlm.nih.gov/pubmed/2716781>

Always wear proper protective gear when riding. This includes knee and elbow pads and an age-appropriate helmet.

- Helmets should fit comfortably and snugly, covering the forehead but not hindering your field of vision.
- The helmet should have a chin strap and buckle to keep the helmet in place.
- The helmet should be made out of a hard, protective outer shell and an impact-absorbing inner layer at least 1/2-inch thick.
- The helmet should be approved by the U.S. Consumer Product Safety Commission (CPSC), the Snell Memorial Foundation, or the American Society for Testing and Materials (ASTM).



Thank you for your purchase of the EB5 Pro Plus eBike by SWAGTRON®!

You're about to take the next step in the evolution of transportation. The EB5 Pro Plus takes the fun of a traditional bike, adds an electric boost, and tops it off with an extra bit of swag.

To ensure your safety and the safety of others, please read and follow the guidelines in this user manual carefully and thoroughly before riding.

If you have any questions regarding your eBike, contact us at 1-844-299-0625 for further assistance.

Happy Riding!

-The SWAGTRON® Team

Table of Contents

| | |
|--|-----------|
| PRODUCT SAFETY NOTICE | 1 |
| Section 1. General Information | 3 |
| 1.1 About the SWAGTRON® EB5 Pro Plus eBike ... | 3 |
| 1.2 What's In the Box? | 4 |
| 1.3 Diagram | 5 |
| Section 2. Assembling the Head | 6 |
| Section 3. Folding, Unfolding & Adjusting Your EB5 Pro Plus eBike | 7 |
| 3.1 Unfolding the Head Tube & Frame | 7 |
| 3.2 Unfolding & Folding the Pedals | 8 |
| 3.3 Folding the Head Tube | 8 |
| 3.4 Folding the Frame | 9 |
| 3.5 Adjusting the Handlebars | 9 |
| 3.6 Adjusting Handlebar Height | 10 |
| 3.7 Adjusting Seat Height | 10 |
| Section 4. Charging Your EB5 Pro Plus eBike | 11 |
| Section 5. How to Ride | 14 |
| Section 6. Safe Riding Techniques & Tips | 15 |
| 6.1 Disposal at End-of-Life | 16 |

| | |
|---|-----------|
| Section 7. Maintenance | 17 |
| 7.1 Tire Inflation | 17 |
| 7.2 Cleaning | 18 |
| 7.3 Storage | 18 |
| 7.4 Transportation | 19 |
| Section 8. Specifications | 20 |
| 1 Year Limited Hardware Warranty | 21 |

PRODUCT SAFETY NOTICE

The SWAGTRON® EB5 Pro Plus eBike has been designed with the utmost safety in mind for its riders. Extra precautions have been taken to protect the user from product hardware malfunctions through our meticulous design and engineering.

However, like any mode of transportation, the SWAGTRON® EB5 Pro Plus eBike has inherent hazards associated with its use (e.g.: losing control, falling off, or riding into a hazardous situation). Be sure to read and follow all instructions and safety recommendations in this user manual prior to and when riding your eBike.

Before each ride, especially if you may travel a long distance, inspect your bike. First, check the tires for proper inflation and cracks on the walls of the tires. Keeping the tires properly inflated and maintained will help prevent flats and damage. Second, check all cables and cable housings for fraying, breaks, rust, or corrosion and replace if necessary. Lastly, inspect the brakes to make sure they are working properly. Additionally, check the brake pads for any damage as they will wear over time and eventually need replacement.

If a replacement of the brake pads or any other part is needed, please contact customer support for replacement service. In general, it is recommended to make sure all nuts and bolts are taut and properly fastened to prevent injury and unnecessary wear and tear on your eBike.

| | |
|------------------|----------------------|
| Maximum Weight | 264 lbs / 120kg |
| Maximum Speed | 15.5 mi / 24.94 km |
| Range per Charge | Up to 30 mi/ 48.5 km |
| Max Incline | 25°(throttle only) |

This device requires coordination, agility, and balance. Use your best judgment to determine if an individual can use the SWAGTRON® EB5 Pro Plus eBike safely.

| | |
|-------------------------------------|--|
| SAFETY GEAR, CLOTHING, AND FOOTWEAR | <p>Please wear appropriate clothing and safety gear including shoes, kneepads, elbow pads and an ASTM F1492 approved helmet.</p> <p>Avoid wearing anything that can drape over or get caught into/under the wheels. Wear closed-toe, flat shoes to maintain flexibility and stability.</p> |
| MODIFICATIONS AND REPAIRS | <p>The SWAGTRON® EB5 Pro Plus eBike is a highly sophisticated electronics product that includes complex, technical circuitry. Attempting to repair or modify your eBike can void all warranties. Only authorized repair centers may open and service the SWAGTRON® EB5 Pro Plus eBike.</p> |
| OBEY LOCAL LAWS AND REGULATIONS | <p>Always check and adhere to local laws regarding personal transportation devices, including pedestrian laws.</p> <p>The eBike is considered a motor vehicle and should not be ridden after consuming alcohol or drugs.</p> |

By riding the SWAGTRON® EB5 Pro Plus eBike, the user acknowledges and accepts personal responsibility of all risks associated with the use of the SWAGTRON® EB5 Pro Plus eBike, which may include, but are not limited to, muscle injuries, broken bones, lacerations, or serious injury that may be sustained while using the SWAGTRON® EB5 Pro Plus eBike.

Section 1. General Information

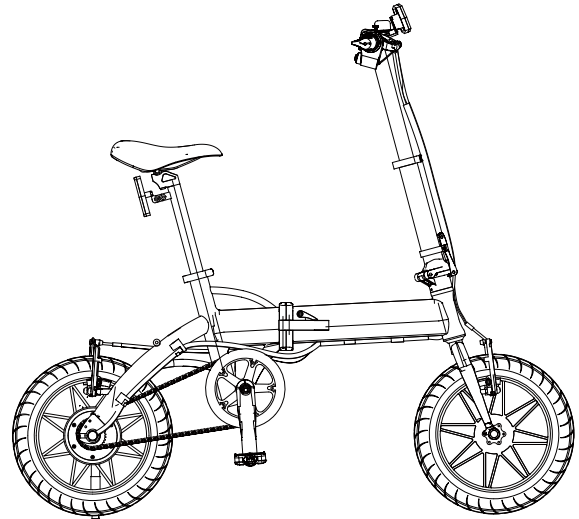
This user manual will guide you through the functions and usage of your SWAGTRON® EB5 Pro Plus eBike. Before operating this device, read all the instructions for safe assembly, charging, and usage.

Please inspect your EB5 Pro Plus upon unpacking for any signs of physical damage or defects. Additionally, ensure that the eBike is fully charged before calibrating and using. For charging instructions, see Section 3. If you have questions, contact SWAGTRON® customer service.

1.1 About the SWAGTRON® EB5 Pro Plus eBike

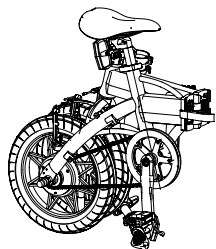
The EB5 Pro Plus Folding Electric Bike is a compact, zero-emissions, personal transportation device that feels like a bike but rides like a moped! It's environmentally-friendly and uses only the highest quality components and industry-leading safety features.

- Riding speeds up to 15.5 mph
- Rechargeable, portable, and reliable
- Eco-friendly and all-electric with zero emissions

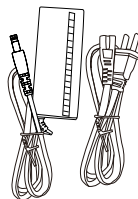


1.2 What's In the Box?

- 1 x SWAGTRON® EB5 Pro Plus eBike
- 1 x Charging Cable & Adapter
- 1 x User Manual



SWAGTRON® EB5 Pro Plus Electric Bike x 1

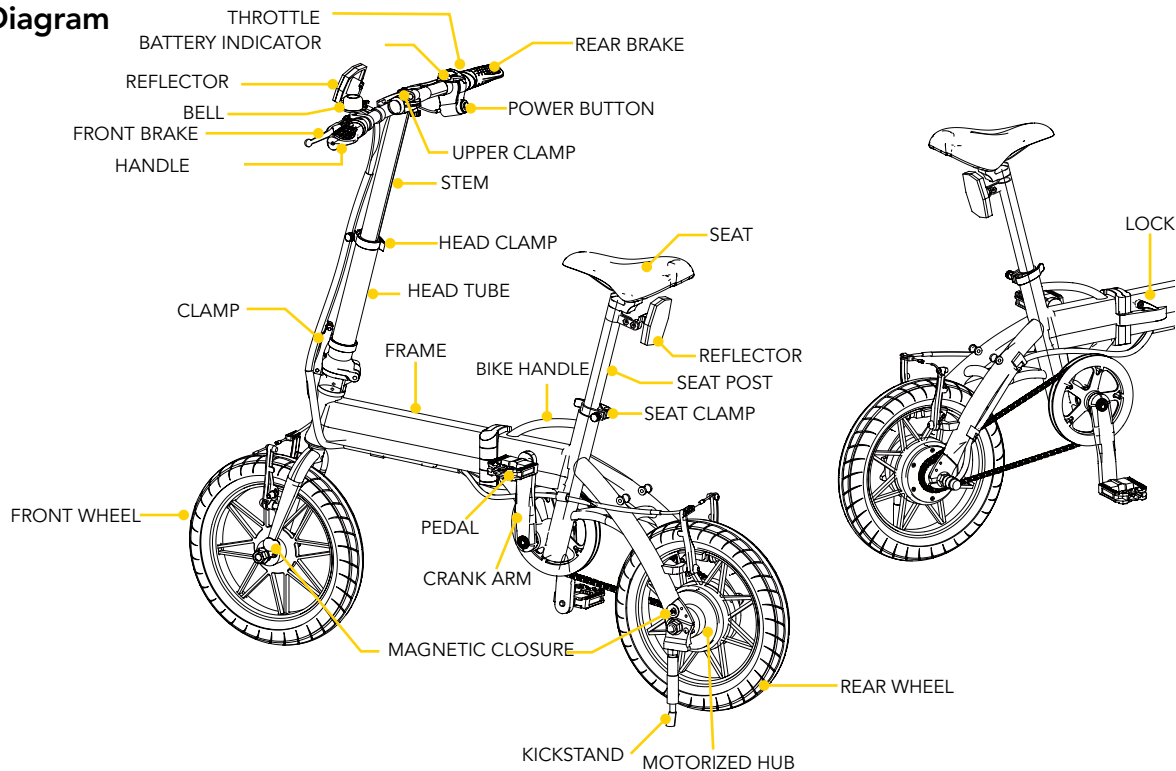


Charging Cable & Adapter x 1



User Manual x 1

1.3 Diagram



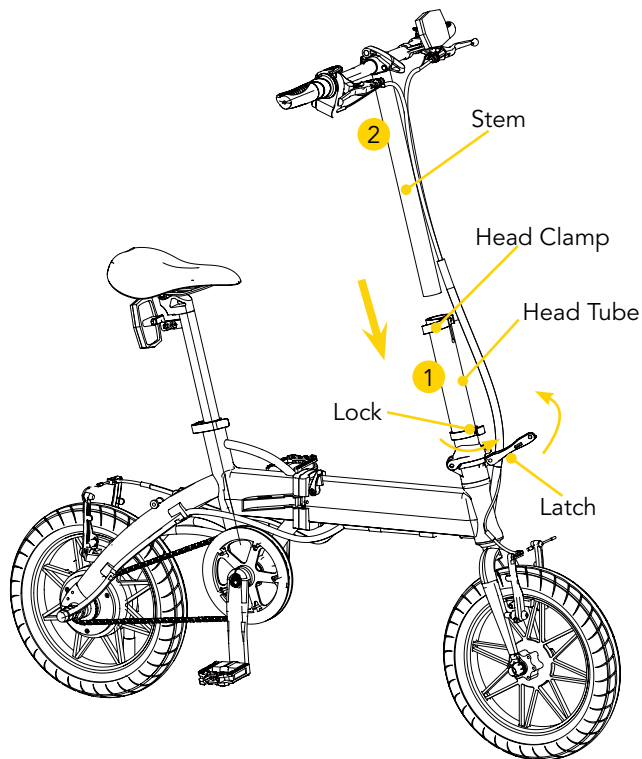
Section 2. Assembling the Head

Step 1. Pull the head tube upright, and fold the latch up and use the lock to close it. It will snap into place (1).

Step 2. Open the head clamp on top of the head tube.

Step 3. Insert the stem into the head tube, pull it up or down to adjust the height of the head to a desired place.

Step 4. Close the head clamp to fix the stem onto the head tube (2).



Section 3. Folding, Unfolding & Adjusting Your EB5 Pro Plus eBike



Be careful not to position your fingers between the latch and the frame. Doing so may result in injury.

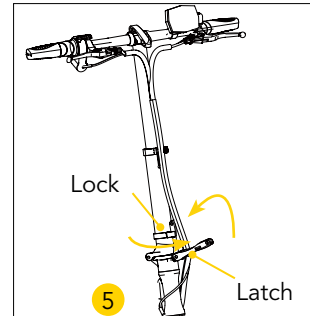
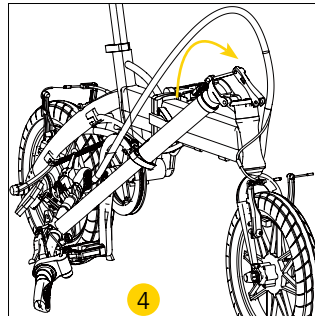
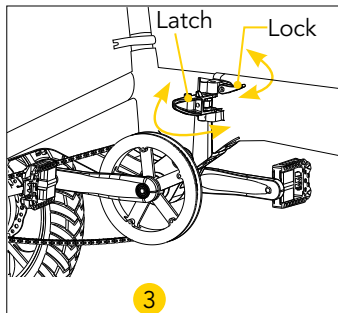
3.1 Unfolding the Head Tube & Frame

Step 1. Unfold the rear wheel / section and hold your eBike upright with the kickstand.

Step 2. Push the latch so that it's parallel with the bike's frame then turn the lock down towards the latch to lock it in place (3).

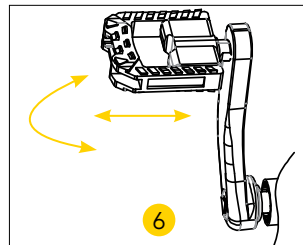
Step 3. Pull the head tube and handlebars upright (4).

Step 4. Fold the latch up, then turn the lock so that its end is inserted into the latch to lock it in place (5).



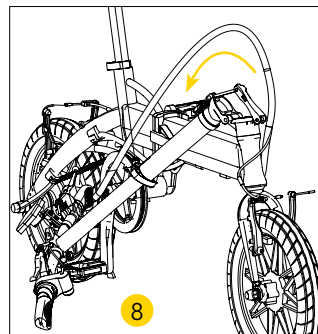
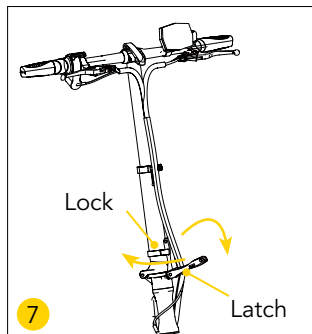
3.2 Unfolding & Folding the Pedals

Holding the crank arm vertical, fold or unfold the pedal. Repeat with the other pedal as needed (6).



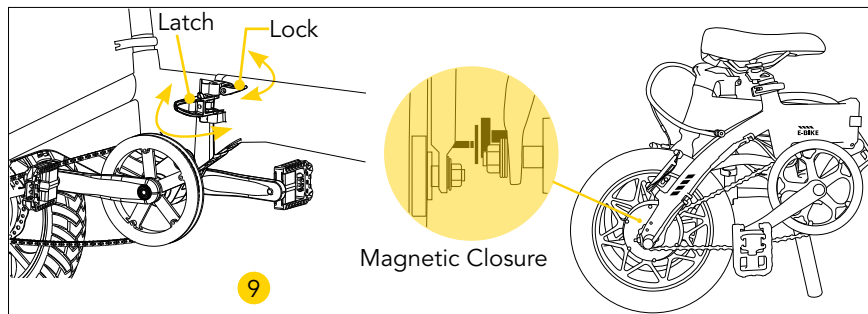
3.3 Folding the Head Tube

Turn the lock then unfold the latch by pulling it down away from the tube (7).
With the latch undone, fold the head tube and handlebars down against the front wheel (8).

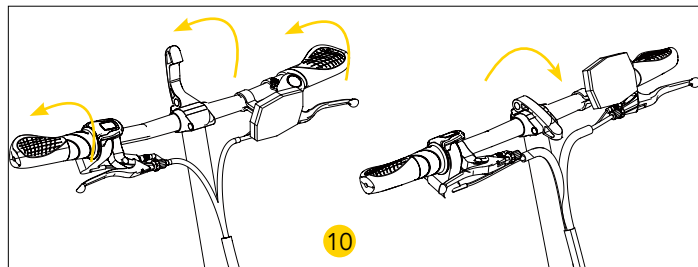


3.4 Folding the Frame

Turn the lock up away from the latch to unlock it. Open the latch by pulling it away from the frame. Fold the rear wheel / section towards the bike to finish folding (9), then store the eBike as needed.



3.5 Adjusting the Handlebars



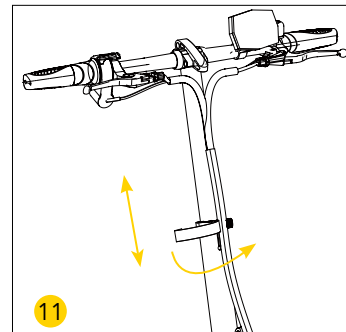
Unfold the clamp to rotate and adjust the direction of the handlebars to a comfortable position. Secure the handlebars by flipping the clamp closed (10).

3.6 Adjusting Handlebar Height

For more comfortable riding, handlebar height may be adjusted.



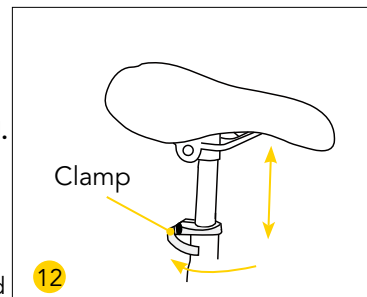
- Typically, handlebar height and seat height should be the same.
- Open the clamp on the head tube (11). Pull up or push down the stem to adjust the height, then close the latch to secure the tube and handlebars.



3.7 Adjusting Seat Height

For better pedaling, safety, and overall comfort, positioning the seat at the right height is key. The rider's leg length is used to determine the seat's position. During pedaling, your hips should remain level and your legs shouldn't over-extend. To determine the right seat height, sit on the eBike with one pedal at its lowest point and place the ball of your foot on the pedal. If your knee bends slightly at this position, the seat is at the right height. Additionally, when placing your heel on the pedal, your leg should be nearly straight.

First, open the clamp under the seat post. Pull the seat up or push it down to adjust height. Check to make sure the seat post is fully inserted into the frame and the head of the seat is parallel with the frame. Lastly, close the clamp to secure the seat in place (12).



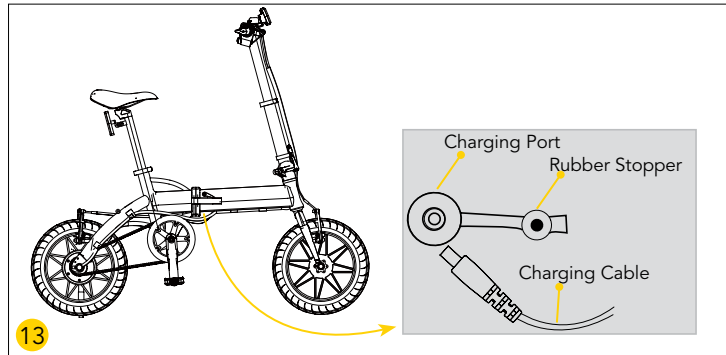
Section 4. Charging Your EB5 Pro Plus eBike



Ensure the eBike is turned off before charging and remains off while charging.

Step 1. Connect the charging adapter and cable together then remove the rubber stopper covering the charging port.

Step 2. Insert one end of the charging cable into the charging port and connect the other end to a wall outlet.



Step 3. Allow at least 5 hours when charging for the first time. After this initial charge, average charging time is 4-5 hours.

Step 4. While the eBike is charging, the adapter's indicator light will turn red.

Step 5. When the eBike is fully recharged, the adapter's indicator light will turn green. You may then disconnect the eBike from the charger.

Safety tips for charging your battery:

- Fully charge the battery before your first use, this may take up to 5 hours.
- To maximize the life of the battery, you must charge it after each riding session.
- When not in active use, please charge at least once a month to maintain optimal battery levels.
- Perform periodic visual inspection of the charging ports and charger cables.



- When the battery is fully charged, please STOP CHARGING and unplug the unit.
- Keep your charging environment clean and dry at all times.
- If the charging port is damp or has any liquid on it, do not charge your eBike.
- In order for the battery to operate at maximum efficiency, avoid charging your eBike in extremely hot or extremely cold environments.
- Use only the battery and charging cable provided to you by SWAGTRON®, use of third party products may compromise the battery and damage the eBike. If a replacement is needed, please contact SWAGTRON® directly.

DO NOT charge the battery in the following cases:

- There is excessive odor or heat.
- Leakage or physical damage.

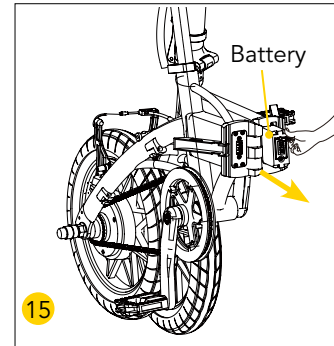
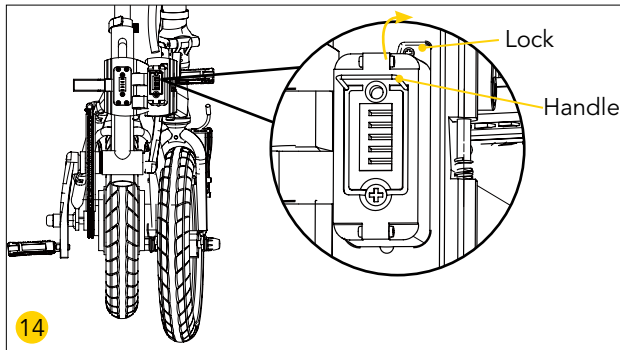
Detaching the Battery

For your convenience, the EB5 Pro Plus's battery can be removed as needed. Fold the bike first before using the lock and/or removing the battery.

Step 1. Switch the lock upwards to unlock the battery (14).

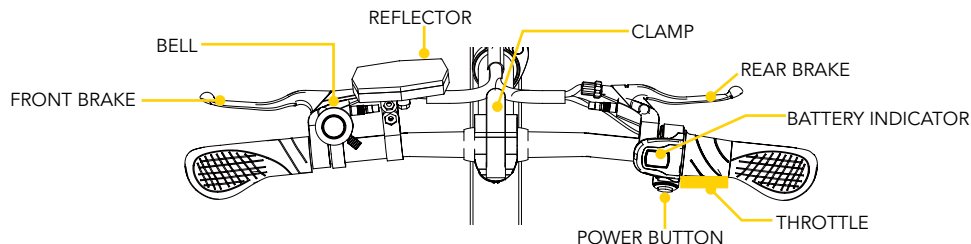
Step 2. With the lock keep upwards, lift the handle and use it to pull the battery out (15).

Step 3. To reinstall the battery, reinsert it into the frame. Switch the lock downwards to lock the battery.



Section 5. How to Ride

The instructions below will ensure you have a comfortable and safe riding experience.



- Start your eBike by pressing the power button, or ride by pedaling. Power-assisted mode will turn on whenever the power is on.
- Move forward by twisting the throttle.
- To stop, release the throttle, then squeeze the front and rear brakes to slow the front and rear wheels down.
- Use the bell to alert pedestrians and other riders of your presence.
- The display shows how much charge is left in the battery. Make sure the battery is at full power before heading out on a long distance ride.

Section 6. Safe Riding Techniques & Tips

Following these techniques and tips can ensure you have a safe, fun riding experience on the EB5 Pro Plus Electric Bike. Check to make sure your brakes are fully intact, pedals are securely installed, and handlebars are locked in place.

- Always wear an ASTM F1492 approved helmet and protective gear to avoid possible injury.
- Make sure your feet are always on the pedals. Taking your feet off the pedals while riding is dangerous.
- Ensure the battery is fully charged especially if you plan to travel long distances.
- Ensure your tires are intact with no punctures.
- Ensure the vehicle speed is safe to yourself and others, and be ready to stop at any time.
- When riding with friends, keep a safe distance from fellow riders to prevent collisions.
- Be aware of your surroundings at all times to ensure a safe ride. Your eyes are your best tools for safely avoiding obstacles and slippery surfaces.
- Stay in open spaces and flat areas. Avoid steep slopes or high-traffic areas until you're familiar and comfortable with riding the EB5 Pro Plus.
- Only ride the eBike where permitted. You **MUST** comply with local laws and give way to pedestrians.



- Never ride at high speeds, uneven terrain, or steep slopes.
- Never perform stunts with the EB5 Pro Plus.
- Never turn abruptly without first checking your surroundings.
- Never carry passengers on the eBike with you.
- Never carry heavy items while riding.
- Never ride in the rain.

- Never use the eBike to do anything that may cause personal injury or property damage.
- Never get off the eBike when it is in motion.

FAILURE TO USE COMMON SENSE AND HEED THE ABOVE WARNINGS INCREASES THE RISK OF SERIOUS INJURY OR, IN VERY RARE CASES, DEATH. USE WITH APPROPRIATE CAUTION AND SERIOUS ATTENTION TO SAFE OPERATION.

For more safe riding tips or information, visit www.swagtron.com.

6.1 Disposal at End-of-Life

This product must not be disposed of by incineration, landfilling, or mixing with household trash. Improper disposal of the battery contained within this product may result in the battery heating up, rupturing, or igniting which may cause serious injury. The substances contained inside the battery present chemical risks to the environment. The recommended disposal for any SWAGTRON® product at its end-of-life is to dispose of the entire unit at or through an e-waste recycling center, program, or facility. Local regulations and laws pertaining to the recycling and disposal of lithium-ion batteries and/or products containing them will vary according to country, state, and local governments. You must check laws and regulations corresponding to where you live in order to properly dispose of the battery and/or unit. It is the user's responsibility to dispose of their waste equipment properly with accordance with local regulations and laws.

For additional information about where you should drop off your batteries and electrical or electronic waste, please contact your local or regional waste-management office, your household waste disposal service, or your point-of-sale.

Section 7. Maintenance



- Do not perform any kind of maintenance while the eBike is charging.
- Attempting to repair or modify your eBike can void all warranties. Only authorized repair centers may open and service the eBike.

If you need assistance, please contact SWAGTRON® support at support@swagtron.com.

7.1 Tire Inflation



You will need a pressure gauge, a standard bicycle pump to inflate the EB5 Pro Plus eBike's tires.

- Step 1.** Ensure the eBike is powered off and stable, so it doesn't move during inflation.
- Step 2.** Visually inspect the tires for damage, scuff, or puncture marks. If the tire is damaged, DO NOT INFLATE IT. Contact customer service immediately.
- Step 3.** Find the valve located on the inside of the wheel and remove the cap.
- Step 4.** Use a standard bicycle pump to pump air to the tires slowly.
- Step 5.** Use the pressure gauge periodically to check PSI.
- Step 6.** When the tire reaches 35-45 PSI/2.4-3.1BAR, stop inflating and replace the valve cap.
- Step 7.** Repeat with other tire.



- Any PSI marking on the tires indicates a maximum. DO NOT inflate the front tire to this value, only inflate it to 45 PSI as directed above.
- Under inflation is strongly recommended if you intend to ride outdoors in temperatures above 90°F. In such conditions, bring the EB5 Pro Plus indoors and deflate the tires by 3-5 PSI. If the PSI is too high and the tire are exposed to excessively high temperatures, riding outdoors may cause serious damage to the tire including but not limited to stretching and/or rupturing.

7.2 Cleaning

Proper cleaning of your eBike can guarantee a longer lifespan and a smooth riding experience.

- Wipe the outer body of your eBike with a soft, dry microfiber cloth.
- Check around the wheels and ensure there is no blockage.
- The eBike meets IPX4 water-resistance, meaning it can withstand splashes; however, do not submerge the eBike in water.
- Do not let water and liquids get into the eBike's electric parts or battery.

7.3 Storage

Below are some tips to consider when storing your SWAGTRON® EB5 Pro Plus Electric Bike.

- Before storing, fully charge the eBike to prevent battery over-discharge due to non-use.
- If storing the eBike for more than one month, discharge and recharge the battery at least once a month.
- Cover the eBike to keep dust out. Do not store in a dusty environment as this may cause damage over time.


7.4 Transportation

Before moving, lifting, or otherwise transporting the eBike, turn it off and fold it. Note, the eBike weighs approximately 37 lbs. Lift the eBike with both arms or otherwise gain the assistance of someone who may handle the weight without trouble.

Lithium-ion batteries are considered hazardous materials; therefore, transportation is governed by federal, state, and local laws.

International law prohibits the shipping of bare lithium-ion batteries. If you are shipping your SWAGTRON® EB5 Pro Plus Electric Bike, you must ship it with the battery installed.

Section 8. Specifications

| Item | Parameters |
|--------------------------|--|
| Net Weight | 37 lbs / 16.8 kg |
| Dimensions (Open Size) | 49.2 x 21.7 x 34.9 in. / 1250 x 550 x 885 mm. |
| Dimensions (Folded Size) | 26.0 x 15.6 x 23.6 in. / 660 x 370 x 600 mm. |
| Max Incline | 25° |
| Maximum Load | 264.5 lbs / 120 kg |
| Battery | 36V 7.8 Ah |
| Charging Voltage | 100V - 240V / 50 - 60Hz / 42V 2A  |
| Charging Time | 4~5 Hours |
| Wheel Size | 14" Front / Rear |
| Wheel Inflation | PSI 35-45 2.4-3.1 BAR |
| Water Resistance | IPX4 |
| Warranty | 1 Year Limited |

1-Year Limited Hardware Warranty

Your SWAGTRON® EB5 Pro Plus E-Bike (“Product”) includes a One-Year Limited Hardware Warranty (“Warranty”). The Warranty covers product defects in materials and workmanship under normal use. This Warranty is limited to residents of the United States and Canada only and is available only to original purchasers. This Warranty gives you specific legal rights and you may also have other rights which vary from state to state.

This Warranty starts on the date of your purchase and lasts for one (1) year (the “Warranty Period”). The Warranty Period is not extended if the Product is repaired or replaced. We may change the availability of this limited warranty at our discretion, but any changes will not be retroactive.

Warranty services are provided by SWAGTRON®. If a hardware defect arises and a valid claim is received within the Warranty Period, at its option and to the extent permitted by law, SWAGTRON® will: (1) repair the hardware defect by using new or refurbished parts that are equivalent to new in performance and reliability; or (2) exchange the Product with a product that is new or refurbished which is substantially equivalent to the original product. This Warranty is for one replacement only of like-items and does not cover items out of production if the product is no longer made or stocked. This Warranty is not assignable or transferable. The original purchaser may call SWAGTRON’s toll-free number at 1-844-299-0625 for service request.

When a product or part is exchanged, any replacement item becomes your property and the replaced item becomes SWAGTRON®’s property. This warranty only covers technical hardware defectiveness during the warranty period and under normal use conditions. SWAGTRON® does not warrant uninterrupted or error-free operation of this Product.

Return shipping shall only be provided for Products dead on arrival (“DOA”) within thirty (30) days of purchase only. All other returns/repairs shall require payment of shipping cost at discounted rate to be determined as follows:

SWAGTRON® E-bikes shall be Twenty Dollars (\$20)**

**shipping prices are subject to change without further notice.

This Warranty does not cover any damage due to: (a) transportation; (b) storage; (c) improper use; (d) failure to follow the product instructions or to perform any preventive maintenance; (e) modifications; (f) unauthorized repair; (g) normal wear and tear (including but not limited to wearables and other consumable parts such as tires); or (h) external causes such as accidents, abuse, or other actions or events beyond our reasonable control.

Important: Do not disassemble the Product. Disassembling the Product will void this Warranty. Only SWAGTRON® or a party expressly authorized by SWAGTRON® should perform service on this Product.

DISCLAIMER OF WARRANTY: THE REMEDIES DESCRIBED ABOVE ARE YOUR SOLE AND EXCLUSIVE REMEDIES AND OUR ENTIRE LIABILITY FOR ANY BREACH OF THIS LIMITED WARRANTY. OUR LIABILITY SHALL UNDER NO CIRCUMSTANCES EXCEED THE ACTUAL AMOUNT PAID BY YOU FOR THE DEFECTIVE PRODUCT, NOR SHALL WE UNDER ANY CIRCUMSTANCES BE LIABLE FOR ANY CONSEQUENTIAL, INCIDENTAL, SPECIAL OR PUNITIVE DAMAGES OR LOSSES, WHETHER DIRECT OR INDIRECT.

SOME STATES DO NOT ALLOW THE EXCLUSION OR LIMITATION OF INCIDENTAL OR CONSEQUENTIAL DAMAGES, SO THE ABOVE LIMITATION OR EXCLUSION MAY NOT APPLY TO YOU.

SOME STATES DO NOT ALLOW THE EXCLUSION OR LIMITATION OF INCIDENTAL OR CONSEQUENTIAL DAMAGES, SO THE ABOVE LIMITATION OR EXCLUSION MAY NOT APPLY TO YOU.

SWAGTRON®

COPYRIGHT © 2023 SWAGTRON. ALL RIGHTS RESERVED.